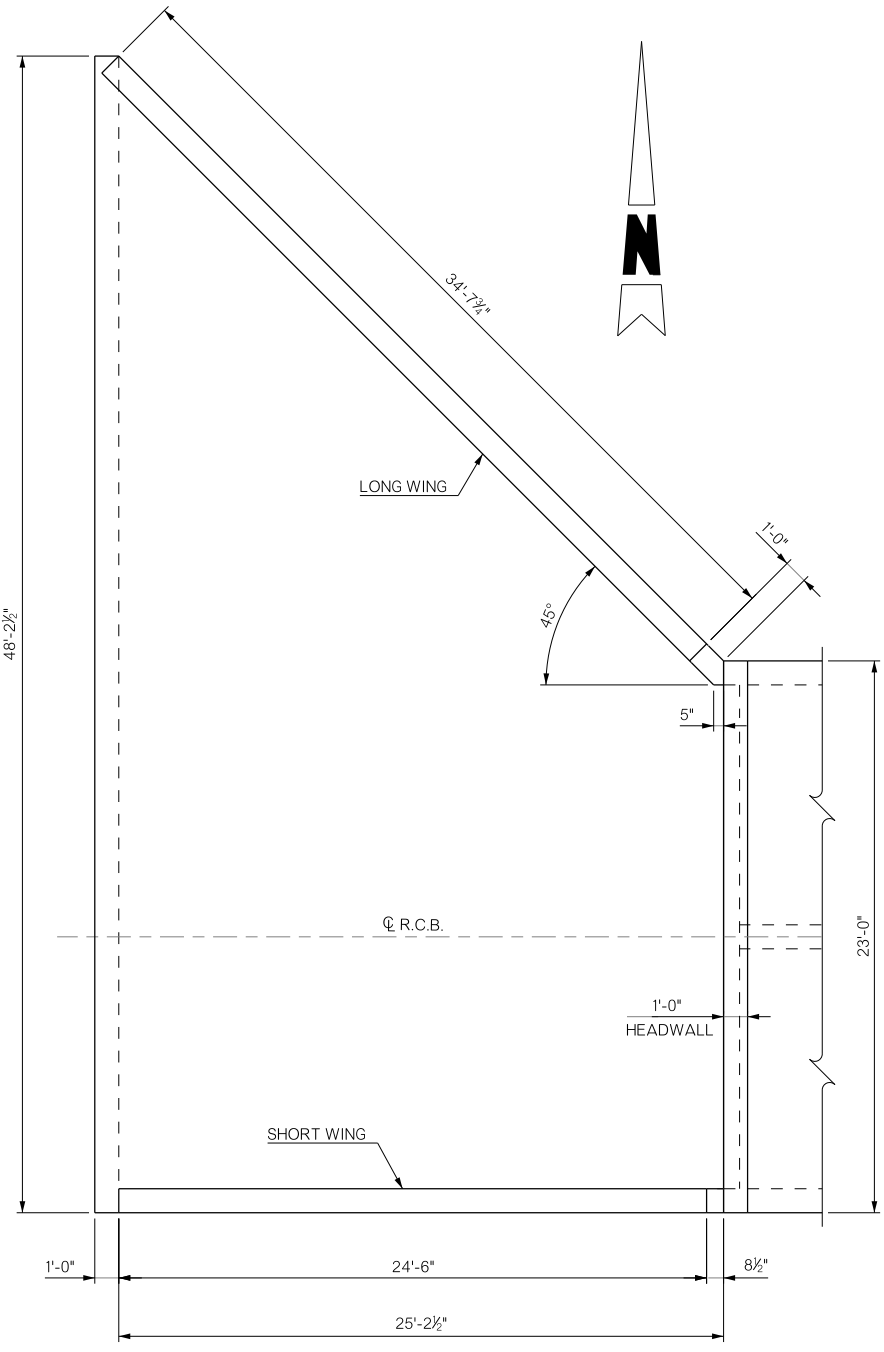
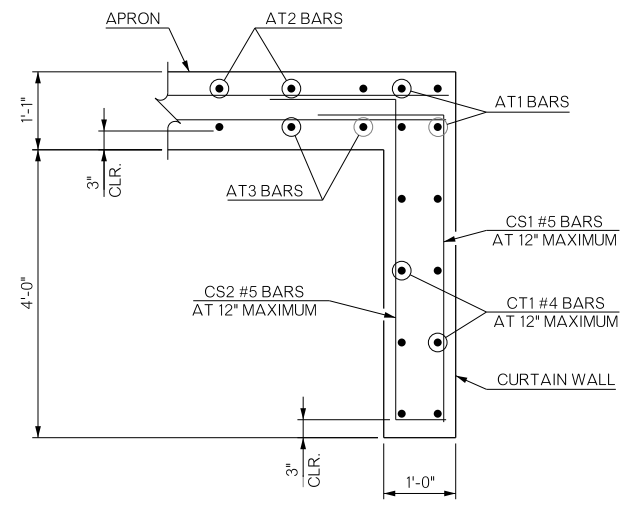


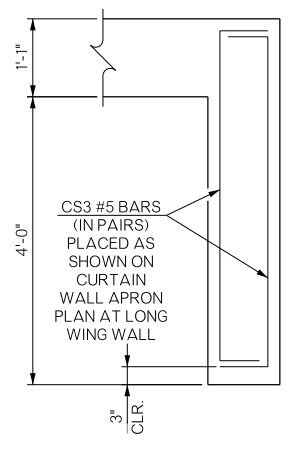
REVISIONS		
REV. NO.	DESCRIPTION	DATE



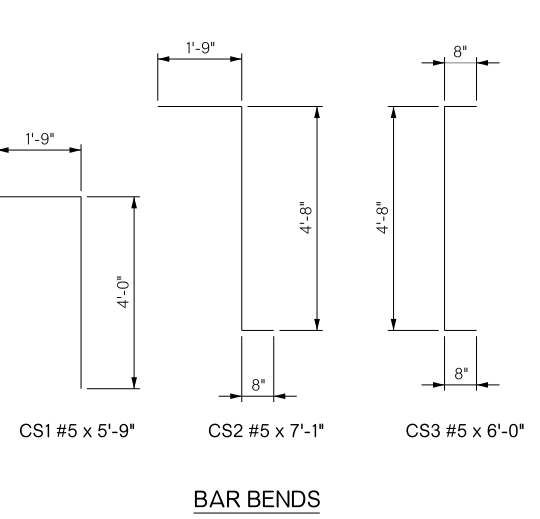
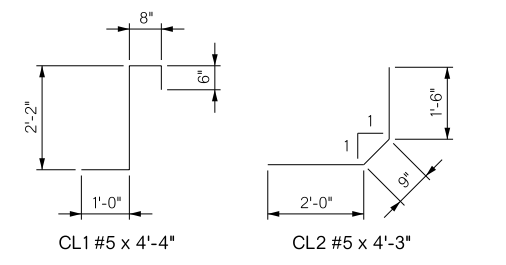
INLET APRON PLAN VIEW



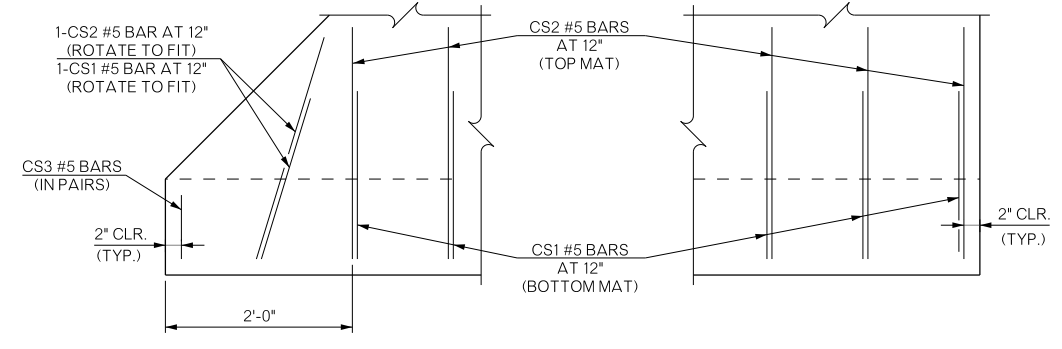
CURTAIN WALL DETAIL



CURTAIN WALL END DETAIL



BAR BENDS



CURTAIN WALL APRON PLAN AT LONG WING WALL

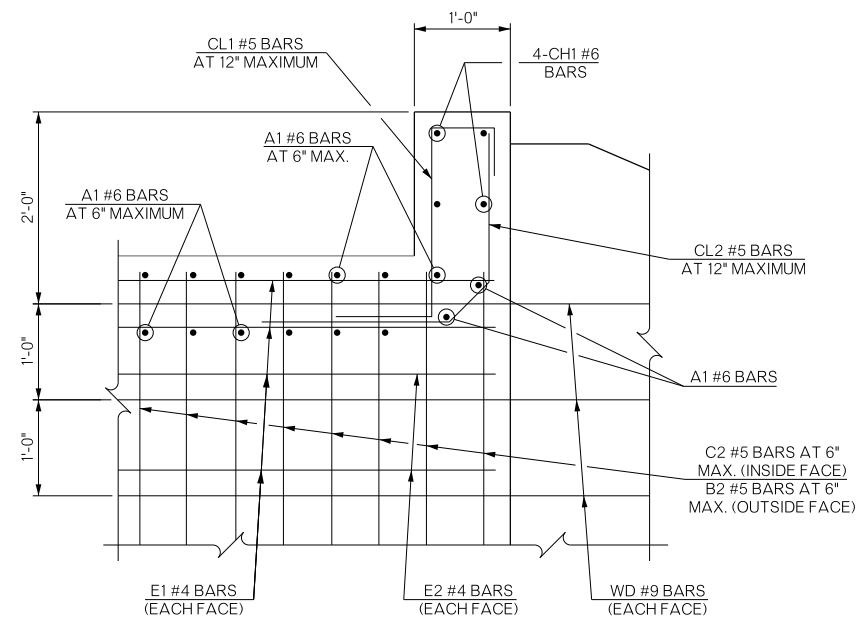
CURTAIN WALL APRON PLAN AT SHORT WING WALL

HEADWALL BAR LIST				
GRADE 60 REINFORCING				
MARK	SIZE	NO.	FORM	LENGTH
CH1	#6	4	STR.	22'-8"
CL1	#5	24	BNT.	4'-4"
CL2	#5	24	BNT.	4'-3"

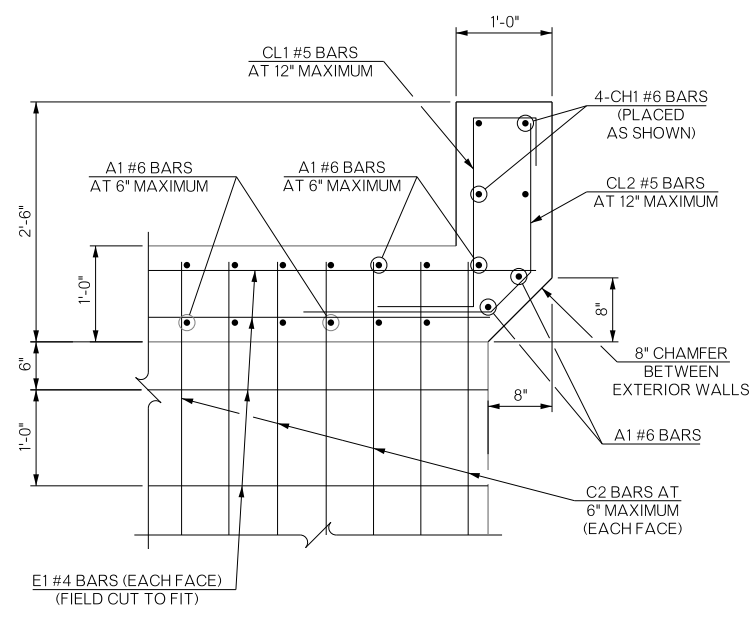
HEADWALL QUANTITIES		
ITEM	UNIT	TOTAL
CLASS AA CONCRETE	C.Y.	1.30
REINFORCING STEEL	LBS.	360.00

CURTAIN WALL/DROP WALL BAR LIST				
GRADE 60 REINFORCING				
MARK	SIZE	NO.	FORM	LENGTH
CS1	#5	48	BNT.	5'-9"
CS2	#5	48	BNT.	7'-1"
CS3	#5	2	BNT.	6'-0"
CT1	#4	8	STR.	47'-9"

CURTAIN WALL/DROP WALL QUANTITIES		
ITEM	UNIT	TOTAL
CLASS AA CONCRETE	C.Y.	7.20
REINFORCING STEEL	LBS.	920.00



HEADWALL DETAIL AT EXTERIOR WALL



HEADWALL DETAIL AT INTERIOR WALL

BRIDGE "A" US-277 OVER UNNAMED CREEK		COMANCHE COUNTY		Design	MLC	10/16
DETAILS OF R.C.B. EXTENSION SHEET 3 OF 6				Detail	GLB	10/16
				Check	DAH	04/17
STATE OF OKLAHOMA				Squad	HARJO	
DEPARTMENT OF TRANSPORTATION				Engr:	MOLLA-ESMAIL	
JOB/PIECE NO. 27968(04)				SHEET NO. B004		